

C.I.P.

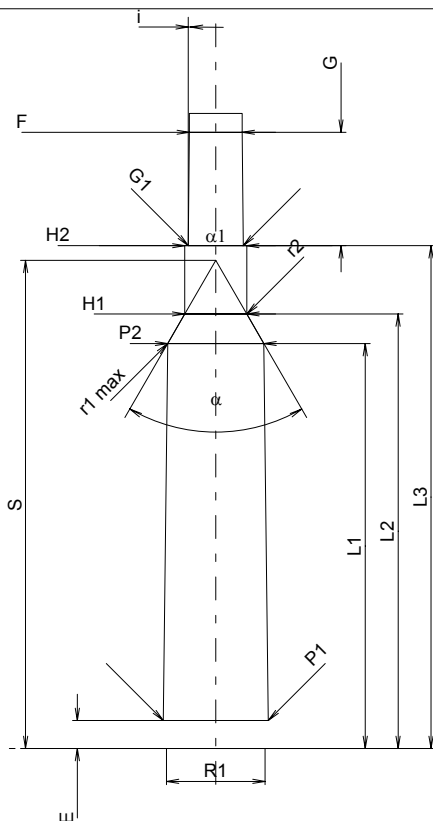
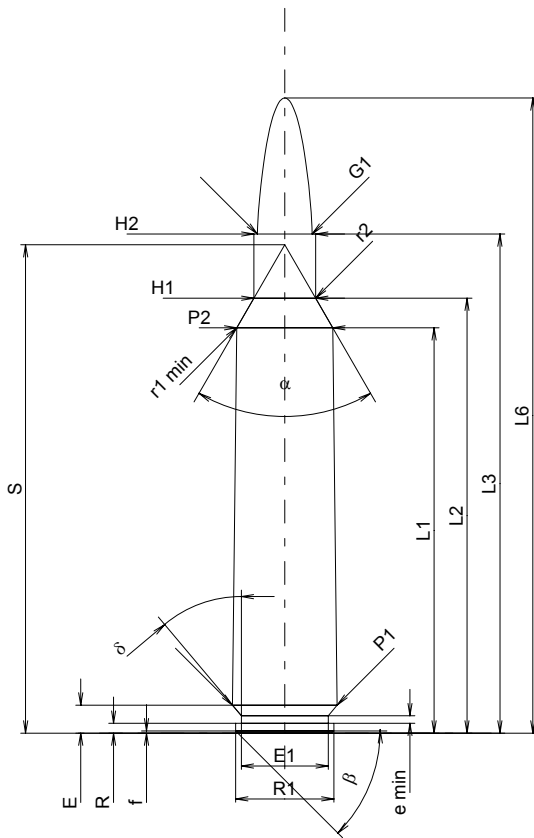
7 mm SE v. H.

Country of Origin: DE

TAB. I

Date 84-06-14

Revision 02-05-15



Scale 1:1

Dimensions in << mm >>
Dimensions and Tolerances for Proof Barrels
see Appendix CR 1.

CARTRIDGE MAXI

Lengths

L1 ¹⁾ *	=	53.60	-0.20
L2 ¹⁾ *	=	57.52	-0.20
L3 ¹⁾	=	66.00	
L4	=		
L5	=		
L6	=	84.00	

Case Head

R	=	1.30	
R1	=	13.00	
R3	=		
E	=	3.70	
E1	=	11.50	
e min	=	1.00	
delta	=	40°	
f	=	0.30	
beta	=	45°	

Powder Chamber

P1	=	13.85	
P2 ¹⁾ *	=	12.70	-0.20

Junction Cone

alpha	=	60°02'21"	
S	=	64.59	
r1 min	=	0.50	
r2	=	0.50	

Collar

H1 *	=	8.17	
H2 ¹⁾	=	8.17	

Projectile

G1 ¹⁾	=	7.24	
G2	=		
F	=		
L3+G ¹⁾	=	81.00	

Pressures (Energies)

Method Transducer

Pmax	=	4400 bar	
PK	=	5060 bar	
PE	=	5500 bar	
M	=	25.00	
EE	=	4525 Joule	

Miscellaneous Dimensions

Fe ¹⁾	=	0.10	
delta L	=		

CHAMBER MINI

Lengths

L1 *	=	53.56	
L2 *	=	57.47	
L3 ¹⁾	=	66.50	

Breech

R	=	1.30	
R1	=	13.05	
R2	=		
R3	=		
r	=		

Powder Chamber

E	=	3.70	
P1 ¹⁾	=	13.88	
P2 *	=	12.73	

Junction Cone

alpha ¹⁾	=	60°03'21"	
S	=	64.57	
r1 max	=	0.50	
r2	=	0.50	

Collar

H1 *	=	8.21	
H2 ¹⁾	=	8.20	

Commencement of Rifling

G1 ¹⁾ *	=	7.28	
G ¹⁾ *	=	15.00	
alpha 1	=	180°	
h	=		
s	=		
i ¹⁾	=	0°34'22"	
w	=		

Barrel

F ¹⁾ *	=	6.98	
Z ¹⁾	=	7.24	

Grooves

b	=	4.00	
N	=	4	
u	=	260.00	
Q	=	40.47	mm ²

Notes: 1) Check for safety reasons
* Basic dimensions